

Datasheet

Large LED Exit Signs - DALI Emergency




CAT. NO. 684481/D, 684482/D, 684483/D, 684484/D, 684485/D, 684486/D,
684487/D, 684488/D, 684489/D, 684490/D, 684508, 684509



684481/D



684486/D

Operating Mode	Maintained
Nominal Input Voltage	230 - 240 V a.c. 50 Hz
Battery	4 Sub C – 2 Ah 4.8 V NiMH
Power Consumption	4.1 W hrc / 3W lrc
Inrush Current	12 A peak
Operating Temperature	10° C to 40° C
Body Construction	White powder coated Zinc Steel
Diffuser Construction	Opal cast Acrylic
IP Rating	IP20
Compliance	IEC 62385, AS/NZS 2293, AS/NZS 60598
Product Marking	 

*hrc- high rate charge, lrc- low rate charge

Large LED Exit Signs - DALI Emergency



CAT. NO. 684481/D, 684482/D, 684483/D, 684484/D, 684485/D, 684486/D,
684487/D, 684488/D, 684489/D, 684490/D, 684508, 684509



684481/D



684486/D

FEATURES

- Ceiling Mounted.
- Robust Construction.
- DALI Monitored.
- Suitable for shopping malls, sports venues and industrial applications.
- 2 large sizes for increased viewing distances: 32m or 48m.
- Light Source Life (LSL): 50,000 hours.
- Two installation wall brackets available.
- Designed and Manufactured in Australia.

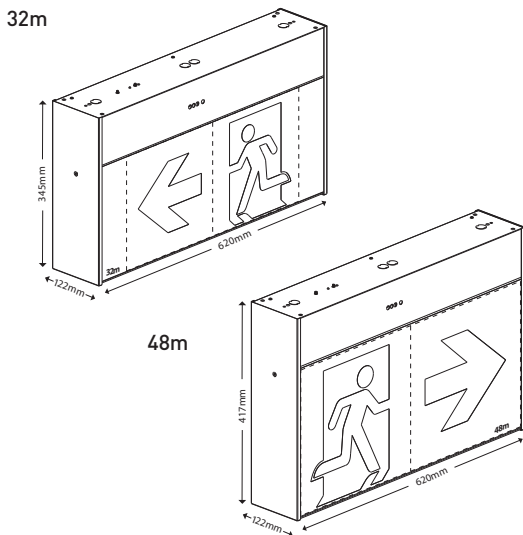
Cat. No.	Description	Dimensions (WxHxD)	Weight
684481/D	Large Exit SS RM 32M DALI	620 x 345 x 122 mm	4.85 kg
684482/D	Large Exit SS RML 32M DALI	620 x 345 x 122 mm	4.85 kg
684483/D	Large Exit SS RMR 32M DALI	620 x 345 x 122 mm	4.85 kg
684484/D	Large Exit DS RM 32M DALI	620 x 345 x 122 mm	4.85 kg
684485/D	Large Exit DS RML/R 32M DALI	620 x 345 x 122 mm	4.85 kg
684486/D	Large Exit SS RM 48M DALI	620 x 417 x 122 mm	5.27 kg
684487/D	Large Exit SS RML 48M DALI	620 x 417 x 122 mm	5.27 kg
684488/D	Large Exit SS RMR 48M DALI	620 x 417 x 122 mm	5.27 kg
684489/D	Large Exit DS RM 48M DALI	620 x 417 x 122 mm	5.27 kg
684490/D	Large Exit DS RMLR 48M DALI	620 x 417 x 122 mm	5.27 kg

RM = Running Man Straight, DS = Double Sided, SS = Single Sided
RML = Running Man Left, RMR = Running Man Right

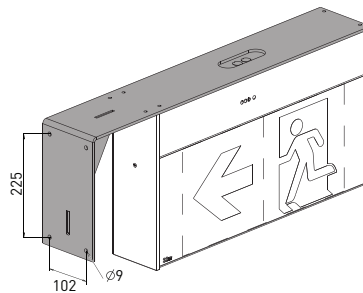
Accessories	
684508	32/48 wall bracket
684509	32/48 wall flush bracket

Classification	
32m	C ₀ :D12.5, C ₉₀ :C12.5
48m	C ₀ :D12.5, C ₉₀ :C12.5

DIMENSIONS

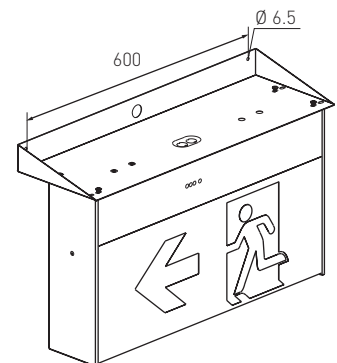


Wall bracket accessory



32m and 48m wall bracket
Cat. no. 684508

Wall flush bracket accessory



32m and 48m wall flush bracket
Cat.no. 684509

Note: All dimensions are in mm.

Legrand - Australia
1300 369 777
www.legrand.com.au
ABN 31 000 102 661

Legrand - New Zealand
0800 476 009
www.legrand.co.nz

Refer to your group buying office, Legrand Sales Representative or Legrand Sales Office for pricing.

Please Note: specifications are subject to change without prior notice.

09/2020

HPML1148_B